



■ Technology ■ Energy Saving ■ Comfortable

ACCESSORIES



www.saswell.com

SASWELL GROUP (HONGKONG) LTD.
SHENZHEN SASWELL TECHNOLOGY & DEVELOPMENT CO.,LTD

3/F Building A, NO. 8 East Region, ShangXue Science & Technology
Industry Park, Buji, ShenZhen, China
Tel: 86-755 61218391/92/93/94/95
Fax: 86-755 61218396
E-mail: info@saswell.com

■ 4006 040 098



VALVE ACCESSORIES THERMOSTAT



ACCESSORIES
SASWELL GROUP (HONGKONG) LTD.
WWW.SASWELL.COM

Company profile

ABOUT US

SASWELL is the major manufacturer in China for HVAC thermostats and valves. Founded in 1999, aimed at developing, producing better performance and better quality HVAC products in China, From the year of 2000, we start the export business. Till now we have exported HVAC products to everywhere around the world. SASWELL has won the trust from domestic and international clients for our product quality and services.

In our trade with merchants of various countries, we always adhere to the principle of equality and mutual benefit. It is our hope to promote, by joint efforts, both trade and friendship to our mutual advantage.

SASWELL[®] CONTROLS

SASWELL CONTROLS, the famous brand belongs to SASWELL GROUP for BA control. Design and Manufacture AHU control products like thermostat, motorized valve, actuator, damp actuator, Temp & Humidity sensor, DDC central controllers and all around series products. SASWELL always offer the most convenient control solutions and service to our client from different countries. And gain good reputation for simply operation, high accuracy, and various control options.



Today

Today, SASWELL brand products are being exported throughout the world. With a strong R&D and engineering team, SASWELL can customize the product designs at our clients' requirements in a very short time. It is our target to provide satisfactory HVAC solution and better products to our customers around the world. SASWELL is a brand name trusted by contractors for our product quality and reliability.

SASWELL[®] THERMO

SASWELL THERMO, the famous brand belongs to SASWELL GROUP for advanced heating controls, which are designed on principle of energy-saving, low temperature heating and easy control. Products includes thermostat, manifold, central controller for water line floor heating system, floor heating mats, heating cable etc.

Temperature and Humidity Sensors



General

The SB Series Transmitters devices house both a temperature or/and a humidity sensor in a wall. Duct-mount, Immersion-mount(No RH) Or outside style. The humidity sensor is capable of measuring Relative Humidity(RH) over the entire range of 5 to 95% ,and its all-Polymer Construction provides improved resistance to chemical corrosion.

The SB series product line delivers devices with RH accuracy of either ±3% RH .SB series temperature and humidity elements produce voltage or current output signals proportional to measured temperature and humidity for temperature and humidity indication. Temperature sensors are available in thin-film nickel and thin-film platinum. The elements are powered with 13.5 to 30 ADC to 30 ADC or 20 to 30ADC and feature a user-selectable humidity output of 0 to 5 ADC .

Specification

Temperature accuracy: ±0.5%FS
 Humidity accuracy: ±3 or± 5% RH
 Temperature sensor :Platinum resistance ,NTC
 Humidity sensor :Humidity sensitive capacitance

Wire :2×1.0 mm² or 22×1.5 mm²
 Power supply :DC 13.5-35v
 Load capacity:Voltage:≤1 mA
 Current:≤600 Ω

Type reference	Temperature					Range Range(°C)	Humidity			Range	Powersupply		Length		protection	Remark
	PT1100	PT1000	NTC10K	0-5V	4-20mA		display	0-5V	0-10V		4-20mA	AC24V	DC13.5-35V	Sense(m)		
SBR100T	•					0...+50									ip30	
SBR1000T		•				0...+50									ip30	
SBR10KT			•			0...+50									ip30	
SBR1000TA5				•		0...+50				•	•				ip30	
SBR1000TA					•	0...+50				•	•				ip30	
SBR1000TB					•	0...+50					•				ip30	
SBR1000□HA5						0...+50	•		5...95%		•				ip30	□INCL.TYPE T1,T2,T3,T4,T5,T6
SBR1000□HA	T1	T2	T3	T4	T5	T6		•	5...95%		•				ip30	□INCL.TYPE T1,T2,T3,T4,T5,T6
SBR1000□HB						0...+50		•	5...95%		•				ip30	□INCL.TYPE T1,T2,T3,T4,T5,T6
SBR2000TA5			•			0...+50									ip30	
SBR2000TA				•		0...+50									ip30	
SBR2000TB					•	0...+50					•				ip30	
SBR2000□HA5						0...+50	•		5...95%		•				ip30	□INCL.TYPE T4,T5,T6
SBR2000□HA				T4	T5	T6		•	5...95%		•				ip30	□INCL.TYPE T4,T5,T6
SBR2000□HB						0...+50		•	5...95%		•				ip30	□INCL.TYPE T4,T5,T6
SBD100T	•					-20...+50									ip30	Incl.mounting flange
SBD1000T		•				-20...+50									ip30	Incl.mounting flange
SBD10KT			•			0...+50									ip30	Incl.mounting flange
SBD1000TA5				•		-20...+50				•	•				ip30	Incl.mounting flange
SBD1000TA					•	-20...+50				•	•				ip30	Incl.mounting flange
SBD1000TB					•	-20...+50					•				ip30	
SBD1000□HA5						-20...+50	•		5...95%		•				ip30	□INCL.TYPE T1,T2,T3,T4,T5,T6
SBD1000□HA	T1	T2	T3	T4	T5	T6		•	5...95%		•				ip30	□INCL.TYPE T1,T2,T3,T4,T5,T6
SBD1000□HB						-20...+50		•	5...95%		•				ip51	□INCL.TYPE T1,T2,T3,T4,T5,T6
SBW100T-100	•					-50...+150						100			ip51	Optional length: 100, 150, 200
SBW1000T-100		•				-50...+150						100			ip51	Optional length: 100, 150, 200
SBW10KT-100			•			0...+60						100			ip51	Optional length: 100, 150, 200
SBW1000TA5-100				•		-50...+150				•	•	100			ip51	Optional length: 100, 150, 200
SBW1000TA-100					•	-50...+150				•	•	100			ip51	Optional length: 100, 150, 200
SBW1000TB-100					•	-50...+150					•	150			ip51	Optional length: 100, 150, 200
SBW100T-150	•					-50...+150						150			ip51	Optional length: 100, 150, 200
SBW1000T-150		•				-50...+150						150			ip51	Optional length: 100, 150, 200
SBW10KT-150			•			0...+60						150			ip51	Optional length: 100, 150, 200
SBW1000TA5-150				•		-50...+150				•	•	150			ip51	Optional length: 100, 150, 200
SBW1000TA-150					•	-50...+150				•	•	150			ip51	Optional length: 100, 150, 200
SBW1000TB-150					•	-50...+150					•	150			ip51	Optional length: 100, 150, 200
SBU100T	•					-50...+50									ip30	
SBU1000T		•				-50...+50									ip30	
SBU10KT			•			0...+50									ip30	
SBU1000TA5				•		-50...+50				•	•				ip30	
SBU1000TA					•	-50...+50				•	•				ip30	
SBU1000TB					•	-50...+50					•				ip30	
SBU1000□HA5						-50...+50	•		5...95%		•				ip30	□INCL.TYPE T1,T2,T3,T4,T5,T6
SBU1000□HA	T1	T2	T3	T4	T5	T6		•	5...95%		•				ip30	□INCL.TYPE T1,T2,T3,T4,T5,T6
SBU1000□HB						-50...+50		•	5...95%		•				ip30	□INCL.TYPE T1,T2,T3,T4,T5,T6

SBD...Duct Humidity & Temperature Transmitter

SBD...Duct Temperature /Humidity sensor

Features

- Outdoor humidity and temperature measurement
- Minimum and maximum value memory
- 0...10V or 0...20mA measuring signals, selectable with jumpers
- Selectable averaging signal

Applications

Humidity & temperature measurement in the field of heating, ventilation and air conditioning.
Recording of minimum and maximum values for critical environments
Supervision of critical humidity and temperatures

Specification

A type (voltage output)

Power Voltage : 15V~35V DC 15V~26V AC
Measuring scope :
Temp : -20 (0) -50℃ 0-10V
RH : 0-10V(Effective measuring scope 20%-80%)
Load resistance : < 100Ω
Power load : > 1000Ω
Power consumption : < 0.3W (15V DC)

B type (current output)

Voltage output: 15V~35V DC
Measuring scope:
Temp. : -20 (0) ~50℃ 1-10V
RH ; 0~100% RH 4~20MA (Effective measuring scope 20%~80%)
Output resistance : 0-500Ω
Note:
12V correspond 250Ω resistance .
≥24V correspond 125-500Ω resistance .
Power float interfere to the transformer : < 0.02mA/V
Power consumption : < 0.5W (24V DC)



PT series output

SBD-100T: RTD Pt100 2 wire/3 wire output
SBD-100T: RTD Pt100 02 wire/3 wire output

NTC series output

SBD-10KT:(B=3935) 25℃ 10K output
SBD-10KT-3:(B=3630) 25℃ 10K output
SBD-20KT:(B=4200) 25℃ 20K output

SBD-100KT:(B=3935) 25℃ 100K output

Product info	Humidity	Temp.
23℃ accuracy	±3%RH(20-80%RH range)	±3℃
Repeatability	≤1%RH	≤0.2℃
Stability	≤2%RH/year	≤0.2℃/year
Environment Temp.: ≤55℃	Humidity: ≤90%RH	—

Installation

When installing in the wind channel, it can be directly fixed on the tube wall, please refer to the figure for the methods of trepanning and installing. The sensor should not be exposed to the circumstances such as acetone steam, acid steam, chlorine, as well as high density smoke(cigarette), etc., or it will be damaged. Make sure that the dimension of the trepanning is not too large and the sensor is cling-with the tube wall in order to avoid the leak air of the pipeline, which will cause the water condensation of the probe. The joint of the fuse must adown, and the fuse should hang down at least 10cm.

Model Type Table

MODEL NO.	Measuring scope	Output Signal (DC)	POWER
SBD-1000HA	0-100%RH	0-10V voltage output	15-35VDC 15V-26VAC
SBD-1000HB	0-100%RH	4-20MA Current output	15V-35VDC
SBD-1000HT	-20(0)-50℃ 0-100%RH	Temperature Pt1000 Humidity 0-10V voltage output	15-35V 15-26VAC
SBD-1000HTA	20(0)-50℃ 0-100%RH	0-10V voltage output	15-35VDC 15V-26VAC
SBD-1000HTB	-20(0)-50℃ 0-100%RH	4-20MA current output	15V-35VDC
SBD-10KT	-50-+65℃	NTC10K	—
SBD-1000T	-50-+65℃	PT-1000	—

NOTE :

- 200mm installation available
- Transmitter can provide -20-50℃, 0-50℃, 0-100℃ Measuring scope, current output or resistance output products.



SBW... Duct Temperature sensor(Immersion Type)

■ Features

Thermistor, PT and NI sensing elements to fit your system
Simple and secure installation
Wide range of temperature probes
Compact size and modern design

■ Applications

- On return air ducts to measure room temperatures
- On supply air ducts to measure heating/cooling supply air
- In heat exchangers and air handling units to control heating/cooling coils
- As frost protection sensor

■ Specification

Resistance Output

NTC or PT sensing elements
A type (voltage output)
Power Voltage : 15V~35V DC 15V~26V AC
OUTPUT SIGNAL : 0-10V
Output load resistance : < 100Ω
Power load: > 1000Ω
Power consumption: < 0.3W (15V DC)

B type (current output)

Voltage: 15V~35V DC
Output Signal : 4-20mA
Power load : 0-500Ω
Note : 12V correspond 250Ω resistance .
≥24V correspond 125-500Ω resistance .
Power float interfere to the transformer: < 0.02mA/V
Power consumption: < 0.5W (24V DC)

Product info	Temperature
-50-50℃accuracy	±0.5℃
-50-100 accuracy	±1℃
Repeatability	≤0.2℃
Stability	≤0.2℃/year
Environment Temp.: ≤55℃	Humidity≤90%RH

■ Installation

When installed in the wind channel, the sensor can be fixed on the wall of the wind channel directly, refer to the attached drawing for the methods of trepanning and installing. When installed in the waterway, casing pipe should be adopted so that the sensor can be fixed more easily and it is more convenient for maintenance as well as alternation of the sensor.



Note :

- SBW1000 series Sensor provide 100mm,150mm,200mm.length
- SBW1000 series Sensor provide -50-50℃ , -20-40℃ , -20-50℃ , 0-40℃ , 0-50℃ , 0-100℃ , Current or resistance output products .

Model	product Name	Length
SG-50	Installation immersion well	50mm
SG-100	Installation immersion well	100mm
SG-150	Installation immersion well	150mm

Model Type Table

MODEL NO.	Measuring scope	Output Signal (DC)	POWER
SBW-1000T	-50-+100℃	PT1000 (NTC1000 option)	-
SBW-1000TA/02050	-20-+50℃	0-10V voltage output	15-35VDC 15V-26V AC
SBW-1000TA-050	-0-50℃	0-10V voltage output	15-35VDC 15V-26V AC
SBW1000TA/0100	0-100℃	0-10V voltage output	15-35VDC 15V-26VAC
SBW-1000TB/02050	-20-+100℃	4-20MA current output	15V-26VDC
SBW-1000TB/050	0-+50℃	4-20MA current output	15V-26VDC
SBW-1000TB/0100	0-+100℃	4-20MA current output	15V-26VDC



SBR...ROOM Temperature /Humidity sensor

Features

- Indoor humidity and temperature measurement
- Minimum and maximum value memory
- 0...10V, 0...20mA or 2...10V, 4...20mA measuring signals, selectable with jumpers
- Optional alternative signal ranges programmable
- Selectable averaging signal
- Optional external display type

Applications

- Indoor humidity & temperature measurement for heating, ventilation and air conditioning applications..
- Recording of minimum and maximum values for critical environments
- Supervision of critical humidity and temperatures

Installation

The sense transmitter should be fixed in the Places where the natural circulation of the air do not Encounter confinement. Please do not locate the Sensor in place where it can be straight way shot by The sunshine, or places near lamp, fireplace, central Heating, neither the places where the circumstances are highly moist.

Note:
Series sense transmitter should work in the circumstance at normal lustration status. The sensor should not be exposed to the circumstances such as acetone steam, acid steam, chlorine, as well as high density smoke (cigarette). Etc., or it may be damaged.



Product Info

Product info	Temperature
-50-50°C accuracy	±0.5°C
-50-100 accuracy	±1°C
Repeatability	≤0.2°C
Stability	≤0.2°C/year
Environment Temp.: ≤55°C	Humidity≤90%RH

Specification

Resistance Output

NTC or PT sensing elements

A type (voltage output)

Power Voltage : 15V~35V DC 15V~26V AC
 Measuring scope :Temp : -20 (0) -50°C 0-10V
 RH ; 0-10V(Effective measuring scope 20%-80%)
 Load resistance : < 100Ω
 Power load : > 1000Ω
 Power consumption : < 0.3W (15V DC)

B type (current output)

Voltage output: 15V~35V DC
 Measuring scope: Temp. : -20 (0) -50°C 4~20MA
 RH ; 0~100% RH 4~20MA (Effective measuring scope 20%~80%)
 Output resistance : 0-500Ω
 Note : 12V correspond 250Ω resistance .
 ≥24V correspond 125-500Ω resistance .
 Power float interfere to the transformer : < 0.02mA/V
 Power consumption : < 0.5W (24V DC)

Model Type Table

MODEL NO.	Measuring scope	Output Signal (DC)	POWER
SBR-1000	-50~+100°C	PT1000 (NTC1000 OPTION)	-
SBR-1000TA	0~+50°C	0~10V voltage output	15~35VDC 15V~26VAC
SBR-1000TB	0~+50°C	4~20mA current output	15~35V DC
SBR-1000TA	0~100%RH	0~10V voltage output	15~35VDC 15V~26VAC
SBR-1000TB	0~100%RH	0~10V voltage output	15~35VDC 15V~26VAC
SBR-1000HT	-50 (-20) ~+50°C 0~100%RH	Temp: PT1000 Humidity: 0~10V voltage output	15~35VDC 15V~26VAC
SBR-1000HTA	-50 (-20) ~+50°C 0~100%RH	0~10V voltage output (0-5V option)	15~35VDC 15V~26VAC
SBR-1000HTB	-50 (-20) ~+50°C 0~100%RH	4~20mA current output	15~26VDC

SBR...LCD Temperature/Humidity/Sensor

Application

SBR-2000HTA / D For liquid crystal display digital Humidity and temperature transmitter can be Widely used in power plants, Pharmaceutical, chemical fiber plant Cigarette factory, printer, Program-controlled exchange of unmanned Purification of the plant room, such as the environment and the field of building automation, such as: hospital operating theaters, museums, archives, libraries and other office environment; and storage, ammunition storage environment such as indoor temperature, humidity measurement. Temperature and humidity for the voltage output signal and communication interface control system can adapt to a variety of different requirements. Button panel used for debugging engineers.



Specification

Power voltage: 15-35VDC 15V-26VAC
 Measuring Scope:
 -Temp. : 0-50°C 0-10V(0-5V)
 -Humidity: 0-100% RH 0-10V(0-5V)
 (Effective measuring scope 20%-80%)
 Load resistance: <100Ω
 Power load: >1000Ω
 Power consumption: <0.3W (15VDC)
 RS-485 communication(option)

Product info

Temperature resolution: 0.1°C
 Accuracy: ±1%FS
 Humidity resolution: 1%RH
 Accuracy: ±5%RH (23°C ±5°C)
 Load capacity: current ≅1mA
 Wiring terminal: 2x1.0mm² or 1x1.5mm² wires
 Ambient temperature: 0~50°C
 Environmental humidity: 5 - 95% RH (non-condensing)
 Sensing elements:
 the number of temperature and humidity probe
 Protection class : IP30

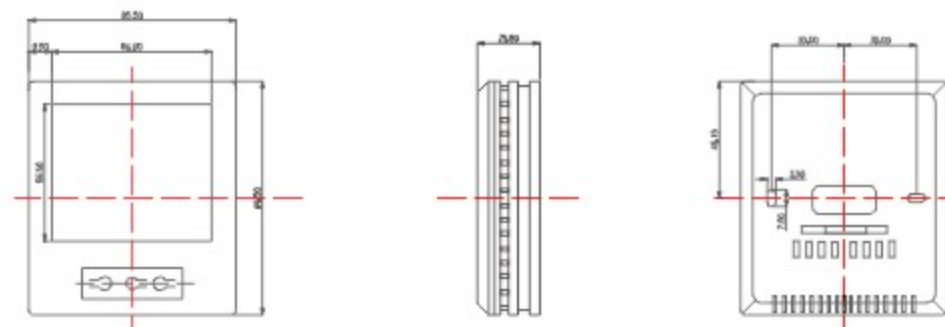
Feature

1. Digital display, better anti-interference capability, big measuring scope, high accuracy
2. VAC & VDC can be used universally .
3. Temperature Sensing Only or Humidity sensing Only, Temp. & Humidity sensing option,
4. Voltage and Current output option
5. Wall mount installation
7. Easily calibration function

Model Type Table

MODEL NO.	Measuring scope	Output Signal (DC)	POWER
SBR-2000TA/D	0~+50°C	0~10V voltage output(0~5V option)	15~35VDC 15V~26VAC
SBR-2000HTA/D	0~+50°C 0~100%RH	0~10V voltage output(0~5V option)	15~35VDC 15V~26VAC
SBR-2000HA/D	0~100%RH	0~10V voltage output	15~35VDC 15V~26VAC
SBR-2000TB	0~+50°C	4~20mA voltage output	15V~35VDC
SBR-2000HB	0~100%RH	4~20mA current output	15V~35VDC
SBR-2000HTB	0~+50°C 0~100%RH	4~20mA current output	15V~35VDC

Dimension



SBU...LCD Temperature/Humidity/Sensor

Features

- Replaceable sensor element
- Outdoor humidity and temperature measurement
- Minimum and maximum value memory
- 0...10V, 0...20mA or 2...10V, 4...20mA measuring signals selectable with jumpers
- Optional alternative signal ranges programmable
- Selectable averaging signal Status LED



Applications

- Outdoor humidity & temperature measurement for heating, ventilation and air conditioning applications.
- Recording of minimum and maximum values for critical environments
- Supervision of critical humidity and temperatures

Product info

	Humidity	Temp
23°C accuracy	+3%RH (range 20~80%RH)	+0.3°C
Repeatability	≤1%RH	≤0.2°C
Stability	≤2%RH/year	≤0.2°C/year

Product info

■ A type (voltage output)

- Power Voltage: 15~35V DC 15V~26V AC
- Measuring scope:
- Temp: -50(-20)~+50°C 0~10V
- Humidity: 0~100% RH 0~10V (Effective measuring scope 20%-80%)
- Load resistance: <100 Ω
- Power load: >1000 Ω
- Power consumption: < 0.3w (15VDC)

■ B type (current output)

- Voltage output: 15~35V DC
- Measuring scope:
- Temp: -50(-20)~+50°C 4~20mA
- Humidity: 0~100%RH 4~20mA (Effective measuring scope 20%~80%)
- Output resistance: 0~500Ω
- Note : 12V correspond 250Ω resistance .
- ≥24V correspond 125-500Ω resistance .
- Power float interfere to the transformer : < 0.02mA/V
- Power consumption : < 0.5W (24V DC)

Installation Notes

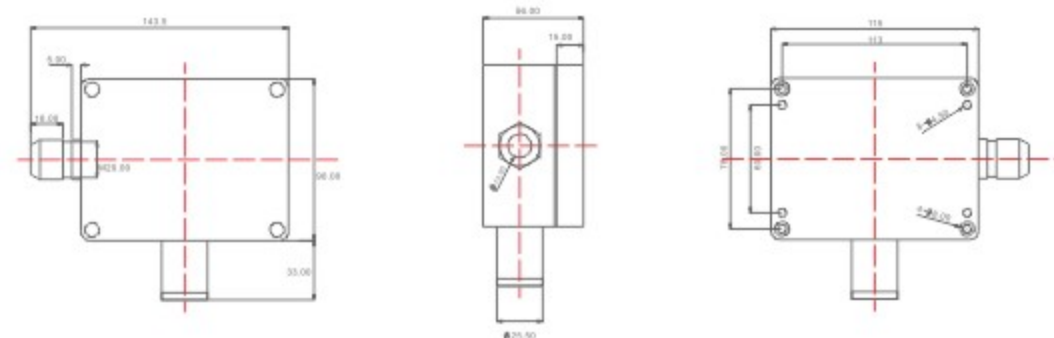
- 1, the sensor should be placed in the general cleanliness of the air environment, such as exposure to steam, such as acetone, chlorine or a high concentration of smoke (cigarettes), etc. will lead to damage to the environment.
- 2, sensor transmitter should be fixed in the natural circulation of air unrestricted avoid placing the sensor near direct sunlight or light sources, fireplaces, heating and, in particular, moist environment.

Model Type Table

MODEL NO.	Measuring scope	Output Signal (DC)	POWER
SBU-1000T	-50~+100°C	PT1000 (NTC1000 option)	-
SBU-1000TA	-50(-20)~+50°C	0~10V voltage output	15~35V DC 15V~26V AC
SBU-1000TB	-50(-20)~+50°C	4~20mA current output	15~35V DC
SBU-1000HA	0~100%RH	0~10V voltage output	15~35V DC 15V~26V AC
SBU-1000HB	0~100%RH	4~20mA current output	15~35V DC
SBU-1000HT	-50(-20)~+50°C 0~100%RH	Temp: PT1000 Humidity: 0~10V voltage output	15~35V DC 15V~26V AC
SBU-1000HTA	-50(-20)~+50°C 0~100%RH	0~10V voltage output	15~35V DC 15V~26V AC
SBU-1000HTB	-50(-20)~+50°C 0~100%RH	4~20mA current output	15~35V DC

NOTE: ■ SBU1000 series provide -50-50°C, -20-40°C, -20-50°C, 0-40°C, 0-50°C, 0-100°C Temperature range , Current or resistance output products .

Dimension



Differential Pressure Switch SP33...

Pressure range

SP33-20: 20Pa~200Pa
 SP33-30: 30Pa~300Pa
 SP33-50: 50Pa~500Pa
 SP33-100: 100Pa~1000Pa

Operation temperature : -20~+55℃,
 Storage temperature : -40~+85℃
 Pressure connections : 6.2 mm , P1 high pressure , P2 low or static pressure
 Service life : mechanical period >1000000 switching cycles
 Output : SPDT, Maximum 1.5(0.5)A/250VAC, Low pressure type 1A/30VDC,
 Maximum On/Off time : 6 times / minute
 Switching load: 250V 2A, Contact shift.
 Repeatability : ±2%
 Casing material : plastic PC diaphragm material: silicone LSR
 Linearity : range 20~300Pa < ±2.5Pa
 Gross Weight : 196 grams without bracket ; 226 grams with bracket
 Protection Standard : Ip54



Pressure connection and wiring

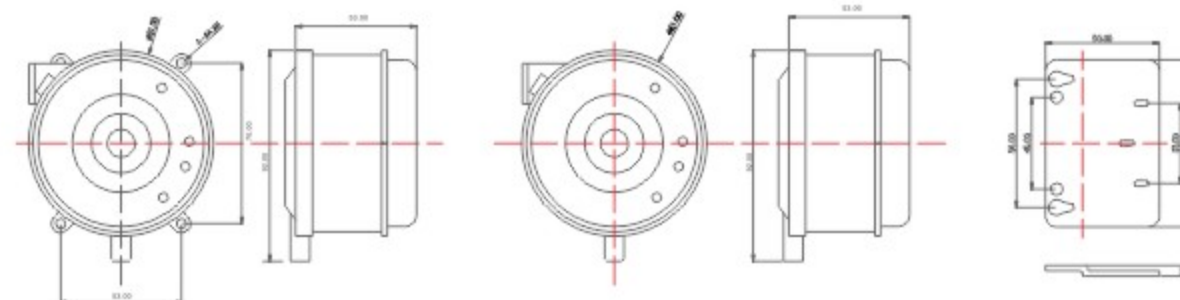
Pressure connections are marked with P1⊕ & P2 ⊖
 incorrect connections are forbidden.

MODEL TYPE TABLE		
Model no	Installation	Pressure range
SP33A-20	AMP connectors	20~300Pa
SP33A-30	AMP connectors	30~300Pa
SP33A-50	AMP connectors	50~500Pa
SP33A-100	AMP connectors	100~1000Pa
SP33B-20	Screw terminals	20~200Pa
SP33B-30	Screw terminals	30~300Pa
SP33B-50	Screw terminals	50~500Pa
SP33B-100	Screw terminals	100~1000Pa

Installation

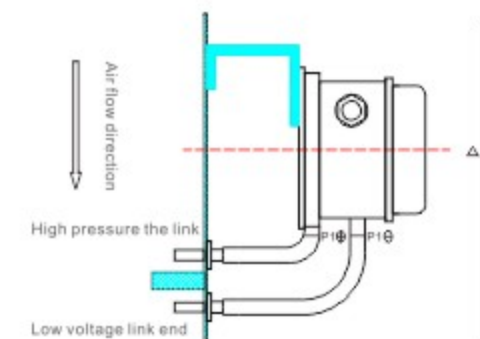
Location: select a location where vibrations are minimal .Ambient temperature should be within the range of -15 / +60℃ .The production calibration of the SP33 is made at room temperature ; mounting locations close to room temperatures are preferred . In systems with high humidity where condensation is possible, thus the entrance should point downwards

Dimension

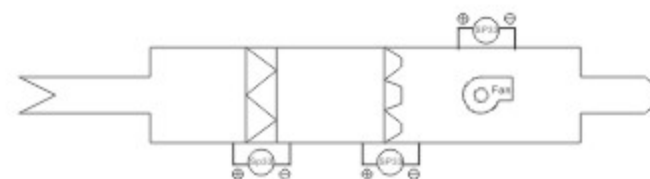


Mounting instruction

The switch is preferably mounted with the diaphragm in a vertical plane , unless the device is set or calibrated for horizontal mounting as on special customer models . On these models the mounting position is indicated on the side of the control .It may be fastened directly to the duct , heater or panel as long as the mounting surface has minimal or no vibration .Pressure connections are marked +(high pressure) and - (low or static pressure) .For more informaton, please read the diagram on the side of the control .



Application example



Caution

The Pressure Switch should be mounted vertically which can prevent affecting on precision from inner atmosphere film weight.
 *To prevent electrical shock or damage to equipment , when the cover is removed ,ensure the power supply is switched off .
 *Complete wiring and check the connections before applying power . Incorrect wiring may cause permanent damage to the unit

Differential Pressure Controller SP74JA

Introduction

SP74JA Principle: two highly sensitive pressure elements which directly oppose each other. It is used on cooling station system to balance pressure differential between water controller and water separator. It has a SPDT floating action contact. Through operating bypass valve switch, which realize pressure differential balance between supply and return water. When the system differential pressure increases above the control's set point, the valve opens further. More water is diverted through the bypass valve, resulting in a reduction in system pressure differential between supply and return lines. The SP74JA controller is also suitable for using on other air and liquid pressure differential applications.

Function

- *Single-pole, double-throw, totally enclosed non-snap acting Penn switch.
- *1/4 in. flared tube pressure connection on the sensing element permits easy field installation.
- *Direct reading scale for quick set point determination.
- *Pressure differential setting can be easily changed without removing the cover.

Specification

Scale range	55 to 414kPa
Operating pressure differential	14kPa, Fixed
Max. low pressure bellows overrun	1241 kPa
Max. allowable difference in pressure between bellows	830kPa
Electrical rating	1A, 24VAC, 50/60Hz
Contact unit	SPDT, totally enclosed non-snap acting Penn switch
Material	0.062" (1.6mm) cold rolled steel ABS top cover
Finish	Gray baked
Mounting	Mounts to flat surface/with a 271-51 universal mounting bracket
Wiring connections	Color coded screw type RED terminal (See Page2 wiring diagram)
Shipping weight	2.4 pounds(1.1 kg)
Ambient operating temperature	Min. 30°F(-1°C) Max. 140F(60°C)



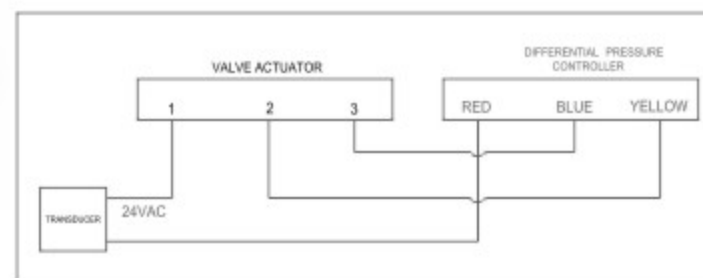
Installation

- The SP74JA controller can be installed to control cabinet, connect copper tube between high pressure and low pressure side.
- Allow some slack in capillary to avoid "violin string" vibration which can cause tubing to break.
- Don't allow tubing to rub against surrounding surfaces or objects where friction can damage capillary.

Adjustment

Insert a screwdriver into the slot in the wheel and rotate the wheel until the scale pointer is opposite the set point desired. Rotate the wheel to the left to increase the differential set point or to the right to decrease the differential set point.

Wiring diagram



- *When actuator terminal 1 and 2 is on, the valve moved toward the closed position; terminal 1 and 3 is on, the valve moved toward the open position.
- *When the system pressure differential decreases, floating contact makes common RED to BLUE terminal; on the opposite when the pressure differential increases, common RED to YELLOW terminal.

Dimension

